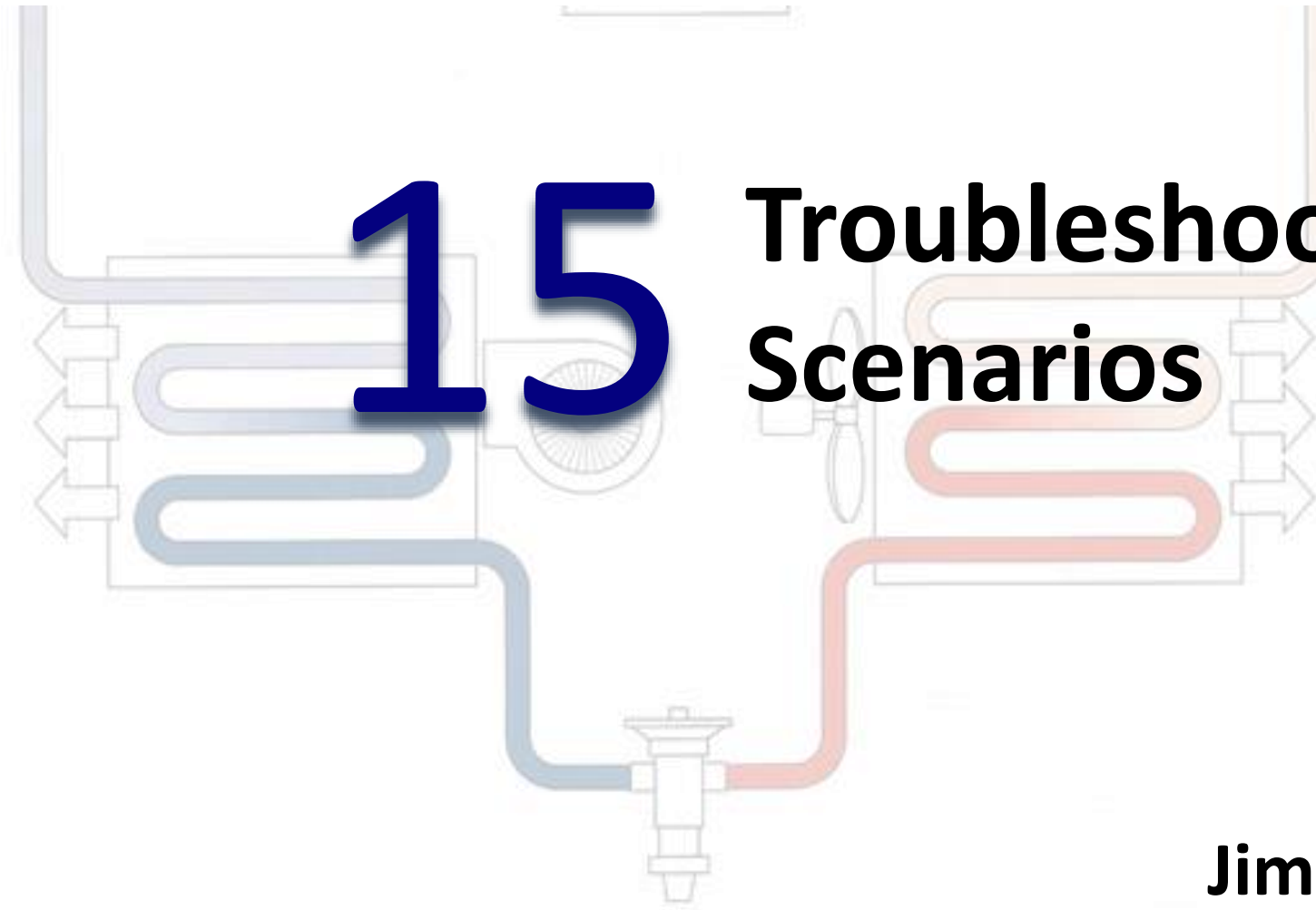


# REFRIGERATION

## TROUBLESHOOTING FUNDAMENTALS



Jim Johnson



© 2020 Technical Training Associates

## **Notice To The Reader**

The author and publisher do not warrant or guarantee any of the products described herein. The author and publisher do not assume, and expressly disclaims, any obligation to obtain and include any information other than that provided by the manufacturer.

The reader is expressly warned to consider and adopt all safety precautions that might be indicated by the activities indicated herein and to avoid all potential hazards. By following the instructions described herein, the reader willingly assumes all risks in connection with such instructions.

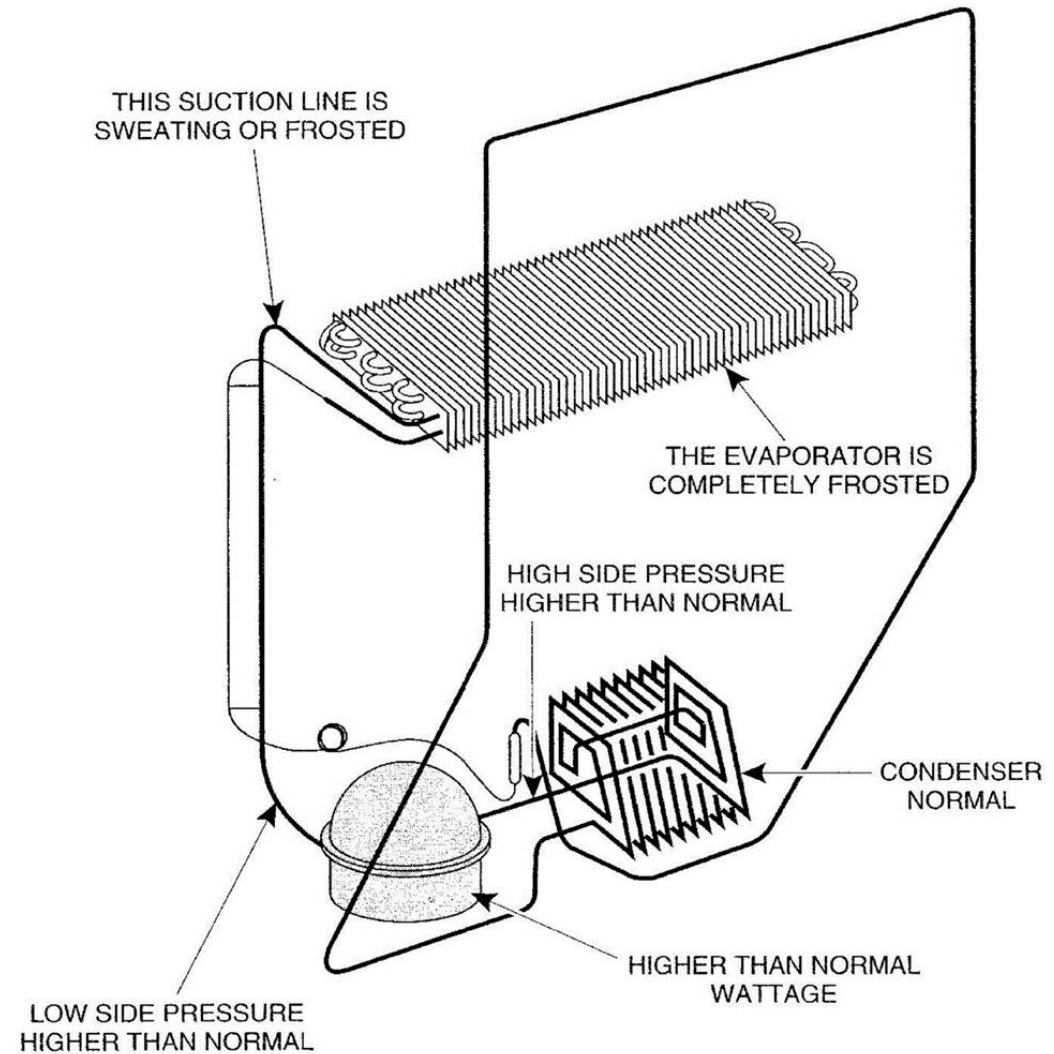
The author and publisher make no representations or warranties of any kind, including but not limited to, the warranties of fitness for particular purpose or merchantability, nor are any such representations implied with respect to the material set forth herein, and the author and publisher take no responsibility with respect to such material.



# Refrigeration Troubleshooting Problem #1

This unit has higher than normal refrigeration pressures, a sweating and frosting suction line, and excessive current draw.

What is your diagnosis?



# Refrigeration Troubleshooting Problem #1 Answer:

A system overcharge.

